



Telephone Antenna

Note:

Use available Service Kit 18814 to replace mobile phone antenna.

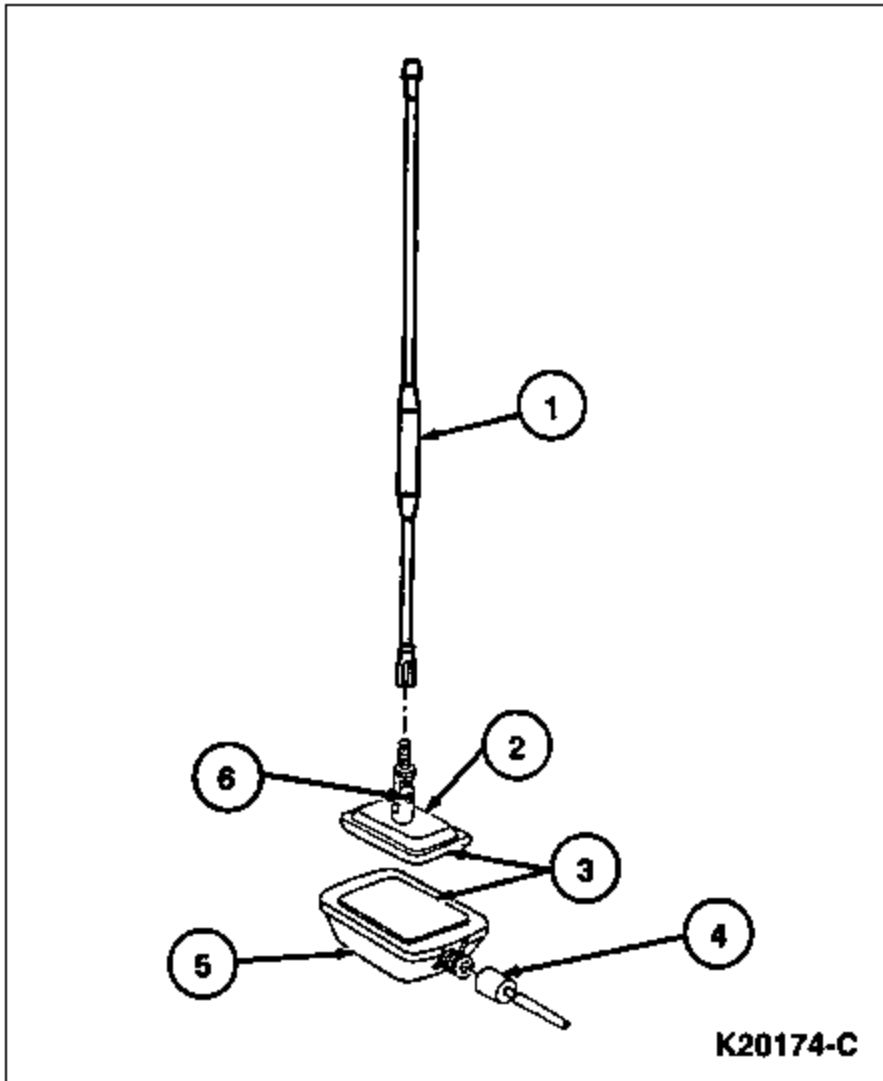
Removal

1. Disconnect multi-function control antenna cable (19A397) from inner base of mobile telephone antenna (19A390).
2. Cut two-way tape retaining inner base to glass. To remove base, pull by hand. Do not pry on glass.
3. Remove radio antenna mast (18A886) from outer base of mobile telephone antenna.
4. Cut two-way tape retaining outer base to glass. To remove base, pull by hand. Do not pry on glass.

Installation

1. Clean two-way tape from inside and outside of glass.
2. Remove protective covering from two-way tape on inner base of mobile telephone antenna and attach antenna base to glass.
3. Connect multi-function control antenna cable to mobile telephone antenna.
4. Apply adhesive promoter meeting Ford specification WSB-M5B280-C to outside window glass and allow to dry before installing outer base of mobile telephone antenna. Proper use of adhesive and adhesive promoter ensures water resistant bond to glass.
5. Remove protective covering from two-way tape on outer base of mobile telephone antenna and attach antenna base to glass directly over inner base of mobile telephone antenna.
6. Install radio antenna mast to mobile telephone antenna.

Mobile Telephone Antenna



Item	Part Number	Description
1	18A886	Radio Antenna Mast
2	--	Antenna Base, Outside (Part of 19A390)
3	--	Double-Side Tape (Part of 19A390)
4	19A397	Multi-Function Control Antenna Cable
5	--	Antenna Base, Inside (Part of 19A390)
6	--	Screw (Part of 19A390)