



« 1996 Town Car/Crown Victoria/Grand Marquis Table of Contents»

«Group 01: BODY»

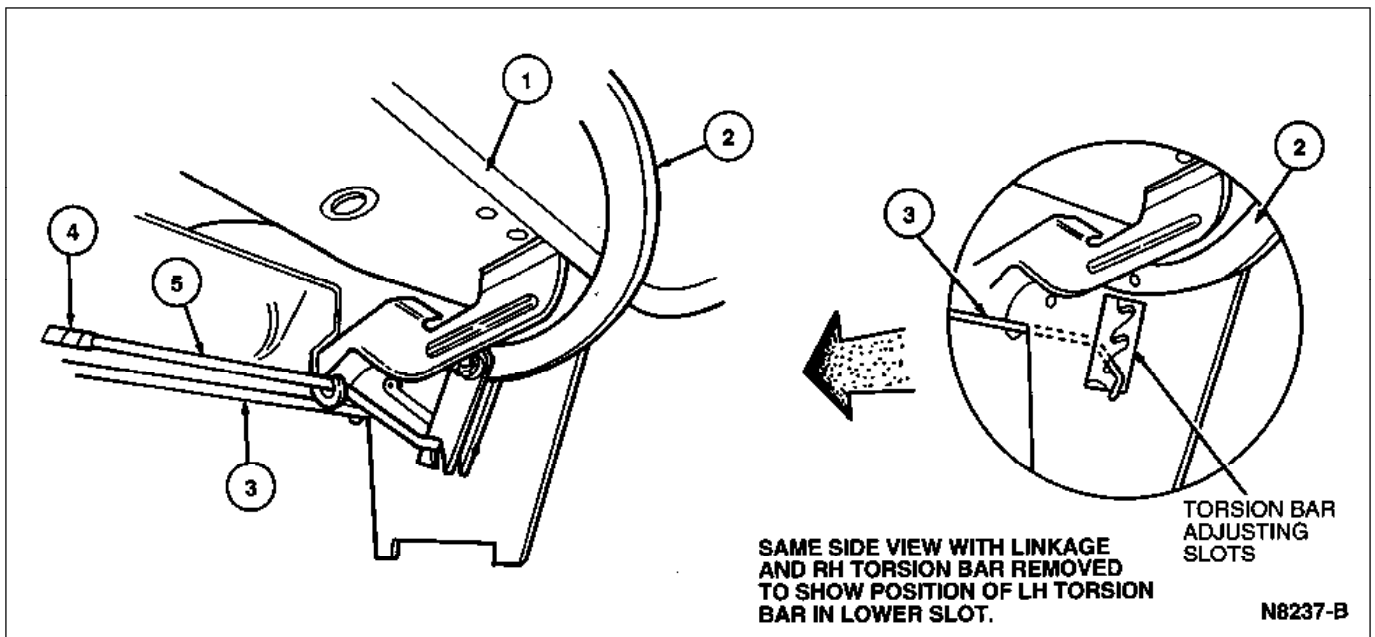
«Section 01-03: Doors and Luggage Compartment Door»

«ADJUSTMENTS»

## Torsion Bar, Luggage Compartment

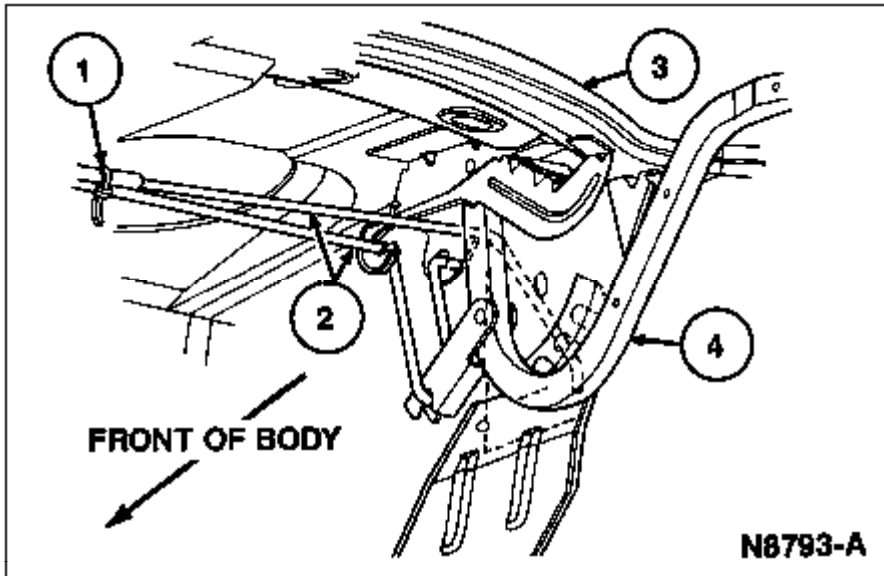
1. Open the luggage compartment door (40110). Note the pop-up distance of the luggage compartment door. The luggage compartment door should have adequate finger clearance.
2. If the luggage compartment door does not have adequate finger clearance, the luggage compartment door torsion bar tension should be increased.

### Luggage Compartment Torsion Bar Components--Town Car



Item	Part Number	Description
1	46506	Package Tray Panel
2	42700	Luggage Compartment Door Hinge
3	44891	Luggage Compartment Door/Tailgate Hinge Torsion Bar
4	--	Anti-Rattle Insulator (Part of 44891) (RH Only)
5	44890	Luggage Compartment Door/Tailgate Hinge Torsion Bar

### Torsion Bar Loading--Crown Victoria, Grand Marquis



Item	Part Number	Description
1	N8059-S5	Torsion Bar Strap
2	44890	Luggage Compartment Door/Tailgate Hinge Torsion Bar
3	46506	Package tray Panel
4	42700	Luggage Compartment Door Hinge

3. If the luggage compartment door pops open with more force than is desired, the luggage compartment door torsion bar tension can be decreased.

4. **WARNING: SAFETY GLASSES MUST BE WORN WHEN PERFORMING THIS OPERATION.**

**WARNING: USE CARE WHEN ADJUSTING THE TORSION BAR AS IT IS UNDER TENSION AND COULD SPRING OUT OF CONTROL IF NOT HANDLED PROPERLY.**

Support the luggage compartment door in the full-open position before adjusting the luggage compartment door/tailgate hinge torsion bar (44890).

5. To adjust a luggage compartment door/tailgate hinge torsion bar, use a suitable tool designed to safely perform the adjustment (such as the one described in Torsion Bar Loading). Then, move the luggage compartment door torsion bar end to another position (notch) to increase or decrease the tension.
6. Adjust one luggage compartment door/tailgate hinge torsion bar and check the adjustment before adjusting the other torsion bar.
7. After torsion bar adjustment, the difference in position of the torsion bar ends, between the RH and LH side, must not be more than one slot.